

WHERE IT ALL BEGAN

3/4" RIM PANIC SOLUTION



4800 Series

The 4800

- For use with surface mounted rim exit devices with up to 1" throw. For use in new or replacement installations in wood or metal door frames and tight installs.
- No cutting of the frame
- Comes with Trines Patented 4-Pin Anchoring System for strength and stability. (See page 12 for details)
- Cavity is completely open – which means the 4800 allows for an incremental depth up to a 1" throw – **Competitor back plates do not allow for this versatility.**
- Built-in electronics automatically allow 11 through 28 AC and DC Voltage input – with surge and kickback protection.
- Contains a one piece locking mechanism with one solenoid.
Less parts mean less problems.
- Fail-safe/Fail-secure Field selectable.
- BHMA Grade 1 Electric Strike:
 - + 1,500,000+ Life cycles
 - + 3,000+ lbs. Holding Force.



Electronics allow for PLUG and PLAY capability

Electric Characteristics

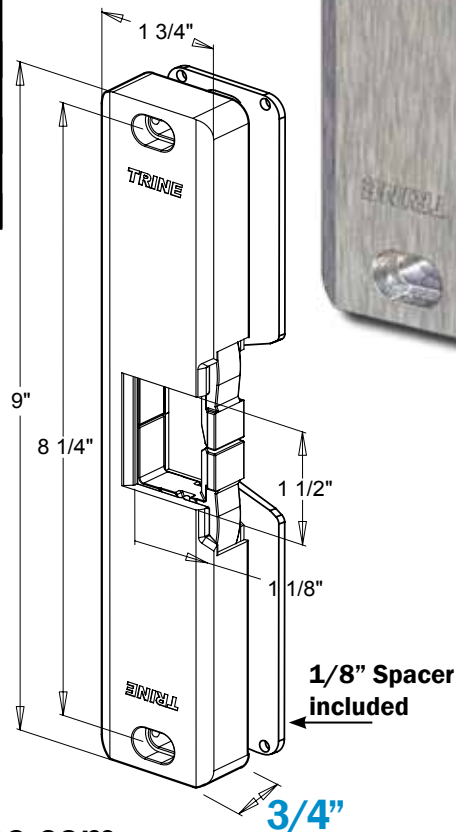
Voltage	Pull In/Hold Amps	Duty	Sound
12DC	0.566/0.217	Intm./Cont.	Silent
24DC	0.253/0.099	Intm./Cont.	Silent
12AC	0.509/0.181	Intm./Cont.	Silent
16AC	0.405/0.149	Intm./Cont.	Silent
24AC	0.215/0.087	Intm./Cont.	Silent

4800-32D (Satin Stainless Steel – BHMA630)

The following finishes are:

- **4800-US3** (Bright Brass – BHMA605)
- **4800-US4** (Satin Brass – BHMA606)
- **4800-US10** (Satin Bronze – BHMA612)
- **4800-US10B** (Dark Bronze – BHMA613)
- **4800-32** (Polished Stainless Steel – BHMA629)

See Page 12 for options.



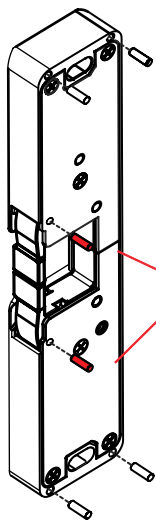
**We challenge you to compare
our strike against the
competition on reliability,
adaptability, and price.**

THE 'BOLT' STRIKE SOLUTION

THE LATCHBOLT MONITORING SOLUTION

4801 - "Bolt" Strike

- For use with the Yale Squarebolt® or Corbin Russwin Securebolt™ in new or replacement installations with wood or metal door frames.
- Use with surface mounted rim device with up to 1" throw.
- Cavity Opening -
Height: 1 17/32"
Width: 1 5/32"
- 6-Pin Anchor system provided to handle the toughest installations.
- Electronics and BHMA rating same as the 4800 - see facing page.



***Must Install
2 middle
pins on the
4801/4801LB**

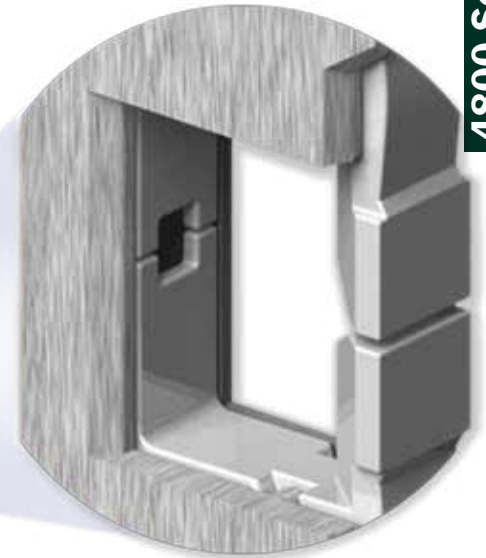
4801-32D (Satin Stainless Steel – BHMA630)

The following finishes are:

- **4801-US3** (Bright Brass – BHMA605)
- **4801-US4** (Satin Brass – BHMA606)
- **4801-US10** (Satin Bronze – BHMA612)
- **4801-US10B** (Dark Bronze – BHMA613)
- **4801-32** (Polished Stainless Steel – BHMA629)

See Page 12 for options.

Latchbolt Monitoring (LB Option)



4800 Series

- IR optical sensor
- Single pole, double throw, form "C" Relay, rated at 1-amp at 12-24 AC-DC
- N/O and N/C relay contacts
- Module power source
- 12-24 DC
- Current consumption is:
12v: standby 12.7ma
activate 22.8ma
24v: standby 19.4ma
activate 34.4ma
- All other features are the same as the base model.

Add "LB" to any 4800 series electric strike

Example:

- **4800LB-32D**
- **4850LB-10B**
- **4801LB-32**

The 4850PoE & LCD

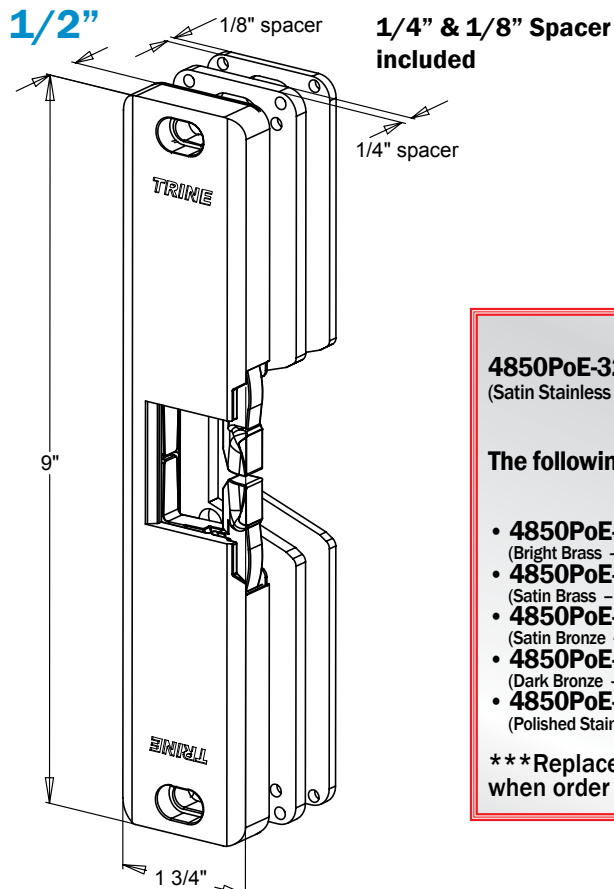
Low Current Draw electric strikes on your everyday installations allow smaller, less expensive power supplies.

Low Current Draw electric strikes allow you to use the power provided by the PoE System - never run wires for an extra power supply again!

4800 Series

1/2" 1/4" 1/8"

Electric Characteristics					
Item	Voltage	Amps	Watts	Duty	Sound
4850PoE	12DC	0.260	3.12	Intm./Cont.	Silent
4850LCD	24DC	0.135	3.24	Intm./Cont.	Silent
Other surface mounted strikes start at:				Don't Forget Amperage Drop! Compensate with a Low Current Draw Strike.	
	12DC	0.450	5.40		
	24DC	0.250	6.00		

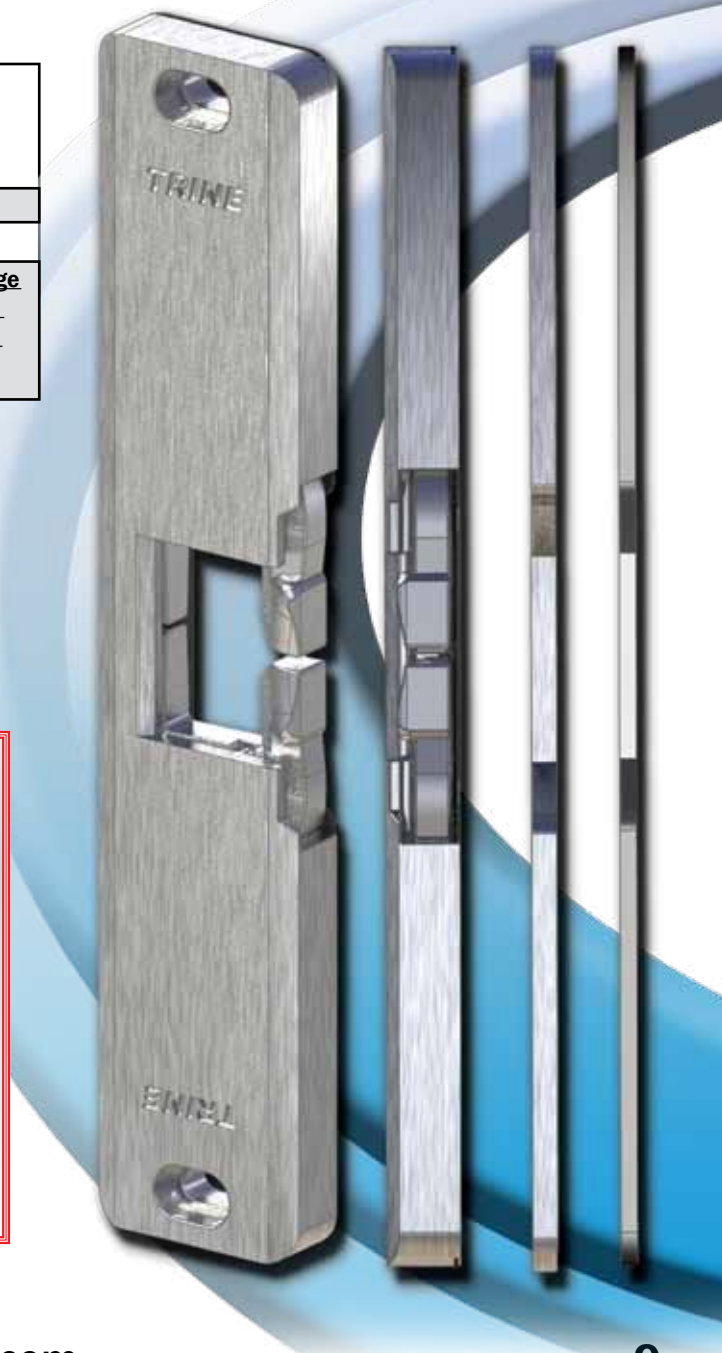


4850PoE-32D
(Satin Stainless Steel - BHMA630)

The following finishes are:

- **4850PoE-US3**
(Bright Brass - BHMA605)
- **4850PoE-US4**
(Satin Brass - BHMA606)
- **4850PoE-US10**
(Satin Bronze - BHMA612)
- **4850PoE-US10B**
(Dark Bronze - BHMA640)
- **4850PoE-32**
(Polished Stainless - BHMA629)

Replace PoE with LCD when order 24DC model



Dimensions for: 4850, 4850LCD, and 4850PoE (are the same)

www.trineonline.com

THE ONE BOX SOLUTION FOR RIM PANIC EXIT DEVICES



4800 Series

- For use with surface mounted rim exit devices with up to a 1" throw. For use in new or replacement installations in wood, metal, or aluminum frames.
- No cutting of the frame
- Cavity is completely open – which means the 4850 allows for an incremental depth up to a 1" throw - **Competitor back plates do not allow for this versatility.**
- Built-in electronics automatically allow **11 through 28** DC Voltage input – with surge and kickback protection
- Comes with Trines **Patented 6-Pin Anchoring System** for strength and stability. (See page 12 for details)
- Contains a one piece locking mechanism with one Solenoid – **less parts mean less problems.**
- Fail-safe/Fail-secure field selectable.
- BHMA Grade 1 Electric Strike:
 - + 1,000,000+ Life cycles
 - + 1,500+ lbs. Holding Force.

Electric Characteristics

Voltage	Pull In/Holding		Duty	Sound
	Current/Amps			
12DC	0.500/0.178		Intm./Cont.	Silent
16DC	0.385/0.131		Intm./Cont.	Silent
24DC	0.255/0.084		Intm./Cont.	Silent

Secure your install with our patented 6-pin anchoring system.



Fits tight installs, like glass.



The 4850



4850-32D (Satin Stainless Steel – BHMA630)

The following finishes are:

- **4850-US3** (Bright Brass – BHMA605)
- **4850-US4** (Satin Brass – BHMA606)
- **4850-US10** (Satin Bronze – BHMA612)
- **4850-US10B** (Dark Bronze – BHMA613)
- **4850-32** (Polished Stainless Steel – BHMA629)

See Page 12 for options.

**2 Spacers included,
4 Thicknesses created,
1 Box solution provided.**

The 4850PoE & LCD

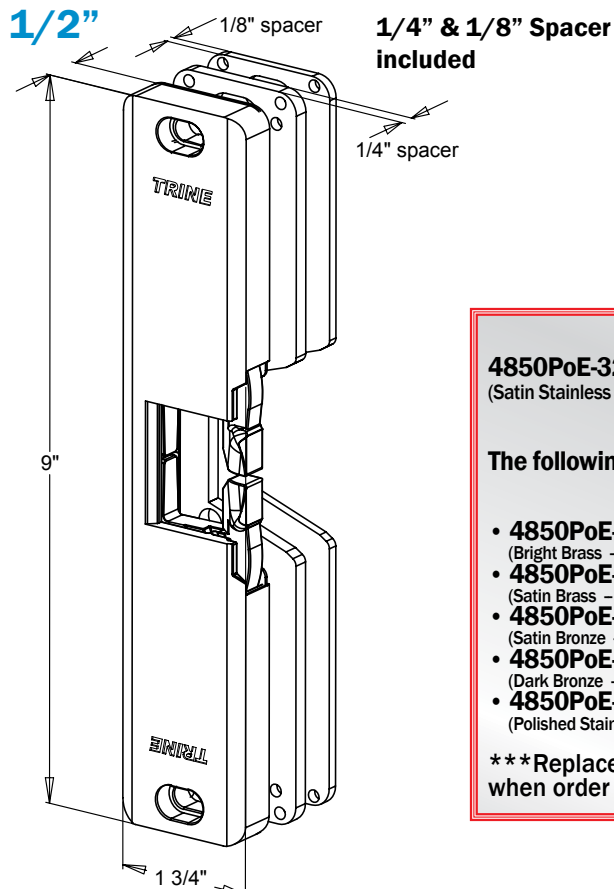
Low Current Draw electric strikes on your everyday installations allow smaller, less expensive power supplies.

Low Current Draw electric strikes allow you to use the power provided by the PoE System - never run wires for an extra power supply again!

4800 Series

1/2" 1/4" 1/8"

Electric Characteristics					
Item	Voltage	Amps	Watts	Duty	Sound
4850PoE	12DC	0.260	3.12	Intm./Cont.	Silent
4850LCD	24DC	0.135	3.24	Intm./Cont.	Silent
Other surface mounted strikes start at:				Don't Forget Amperage Drop! Compensate with a Low Current Draw Strike.	
	12DC	0.450	5.40		
	24DC	0.250	6.00		

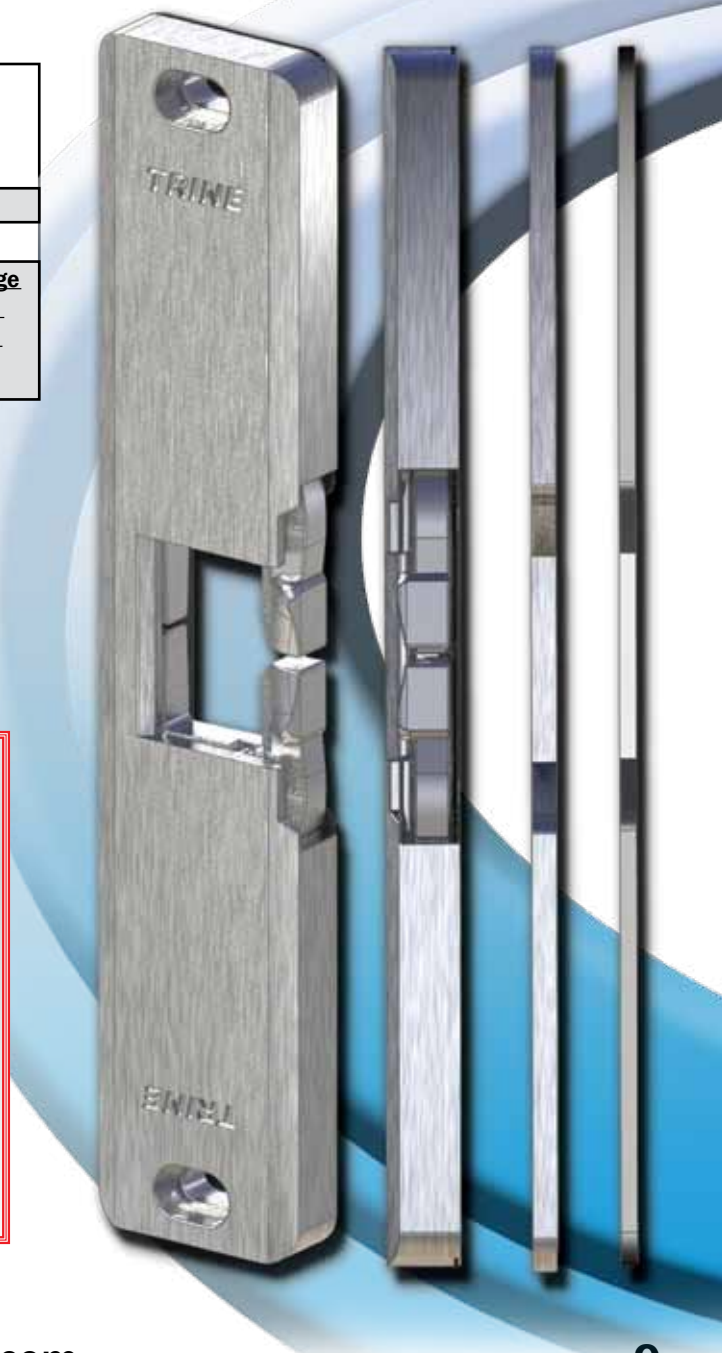


4850PoE-32D
(Satin Stainless Steel - BHMA630)

The following finishes are:

- **4850PoE-US3**
(Bright Brass - BHMA605)
- **4850PoE-US4**
(Satin Brass - BHMA606)
- **4850PoE-US10**
(Satin Bronze - BHMA612)
- **4850PoE-US10B**
(Dark Bronze - BHMA640)
- **4850PoE-32**
(Polished Stainless - BHMA629)

Replace PoE with LCD when order 24DC model



Dimensions for: 4850, 4850LCD, and 4850PoE (are the same)

www.trineonline.com