

The 9550 SENIOR SWING by LCN is an ADA door operator that is a two-in-one swing door operator. SENIOR SWING operators when activated, opens doors automatically for wheelchair access, yet allows for manual operation for regular pedestrian traffic.

- ▶ **Push 'N Go** permits non-switch activation
- ▶ **Power Boost** provides additional latching force
- ▶ **Electromechanical unit** with microprocessor control
- ▶ **Digital keypad** for easy setup
- ▶ **Tested internally** to over 10,000,000 cycles
- ▶ **Meets International Building Code** requirements and ANSI A156.19
- ▶ **UL approved** for fire doors

- ▶ 9550 series operator is shipped with motor gearboxes, control box, arms, header, and mounting hardware. Actuators available separately, see pages 199-215.
- ▶ Simultaneous pair, surface mounted.
- ▶ Meets ADA requirements (power mode only).
- ▶ Handed product.
- ▶ Pull, Push or Double Egress applications available.
- ▶ 72" header length is standard. Specify other length 60" to 98". Consult factory regarding this option.
- ▶ Adjustable hold open period of 1 to 32 seconds in automatic or manual mode.

9550 Series is fully compliant with UL 325 & UL 1998 and meets the provisions of ANSI A156.19. The 9550 Series is UL listed for fire-rated applications. The 9550 Series also meets the provisions of the Americans with Disabilities Act.

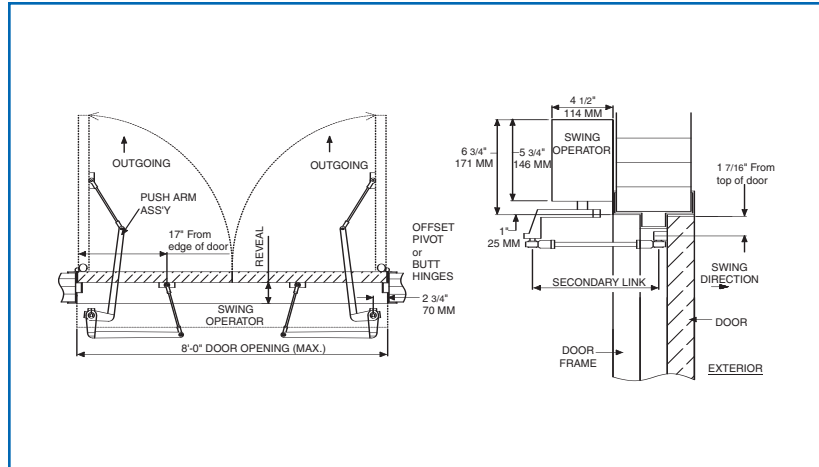
MOUNTING				HANDING		FINISH	COVER		ARM FUNCTION					
SURFACE MOUNT SINGLE DOOR	SURFACE MOUNT SIMULTANEOUS PAIR	CONCEALED SINGLE DOOR	CONCEALED SIMULTANEOUS PAIR	HANDED	NON-HANDED	STANDARD ANODIZED	CUSTOM ANODIZED	CUSTOM PAINT	METAL	STANDARD (SINGLE)	REGULAR (DOUBLE)	DOUBLE EGRESS (PUSH/PULL)	OFFSET PIVOT ARM	CENTER PIVOT ARM
●	○	○	○	○	○	●	●	○	○	○	○	○	○	○

● AVAILABLE
○ NOT AVAILABLE

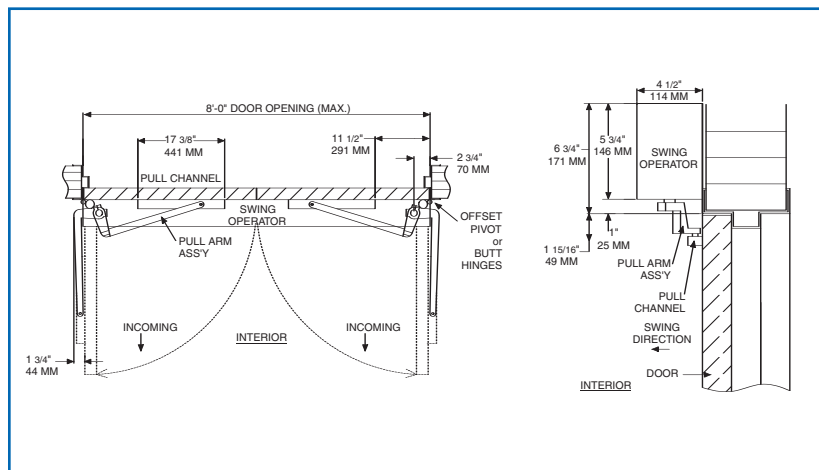
LCN 9550 SERIES

MOUNTING DETAILS

TOP JAMB SIMULTANEOUS PAIR (OFFSET PIVOT/BUTT HINGE, CENTER PIVOT, PUSH) MOUNTING



TOP JAMB SIMULTANEOUS PAIR (OFFSET PIVOT/BUTT HINGE, CENTER PIVOT, PULL) MOUNTING



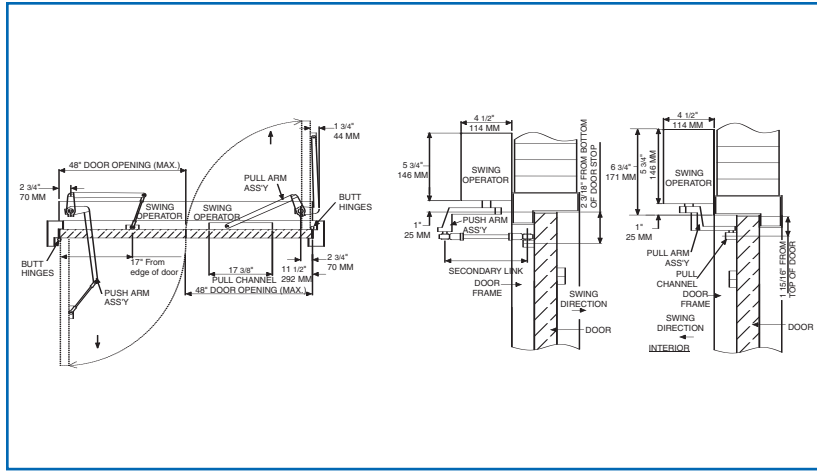
MAXIMUM OPENING

Template allows 90 degree power opening and 90 degree manual opening.

Special Templates

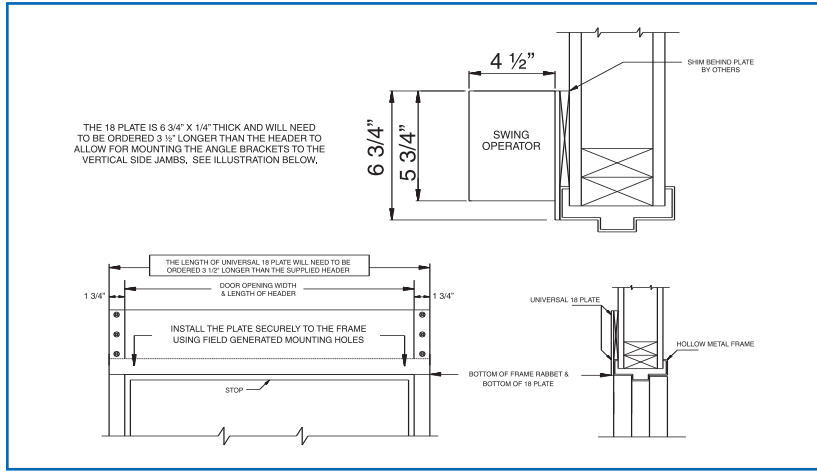
Customized installation templates or products may be available to solve unusual applications. Contact LCN for assistance.

- ▶ **Butt Hinges** should not exceed 5" (127 mm) in width.
- ▶ **Reveal for push** installations should not exceed 10" (254 mm) for REGULAR ARM and 20" (508 mm) for LONG ARM.
- ▶ **Reveal for pull** installations should not exceed 4" (102 mm).
- ▶ **Reveal for double egress** installations should not exceed 4" (102 mm).
- ▶ **Head Frame** minimum 1 3/4" (44 mm). Face frame 6 3/4" (171 mm) total operator clearance.
- ▶ **Top Rail** minimum 2 3/4" (70 mm).
- ▶ **Opening & Closing Time** are variable by adjustments to the electronic control box. Maximum hold open time adjustable up to approximately 32 seconds.
- ▶ **System Diagram** see "AUTOMATIC OPERATORS" section pages 54-55 for typical system wiring and page 58 for electrical data.
- ▶ Please consult your local SSC representative or LCN for assistance with specific installations and material requirements.



TOP JAMB SIMULTANEOUS PAIR (RH DOUBLE EGRESS) MOUNTING

Consult factory for all balance door installations.



HOLLOW METAL FRAME

Suggested Installation

- ▶ **Butt Hinges** should not exceed 5" (127 mm) in width.
- ▶ **Reveal for push** installations should not exceed 10" (254 mm) for REGULAR ARM and 20" (508 mm) for LONG ARM.
- ▶ **Reveal for pull** installations should not exceed 4" (102 mm).
- ▶ **Reveal for double egress** installations should not exceed 4" (102 mm).
- ▶ **Head Frame** minimum 1 3/4" (44 mm). Face frame 6 3/4" (171 mm) total operator clearance.
- ▶ **Top Rail** minimum 2 3/4" (70 mm).
- ▶ **Opening & Closing Time** are variable by adjustments to the electronic control box. Maximum hold open time adjustable up to approximately 32 seconds.
- ▶ **System Diagram** see "AUTOMATIC OPERATORS" section pages 54-55 for typical system wiring and page 58 for electrical data.
- ▶ Please consult your local SSC representative or LCN for assistance with specific installations and material requirements.

MAXIMUM OPENING

Template allows 90 degree power opening and 90 degree manual opening.

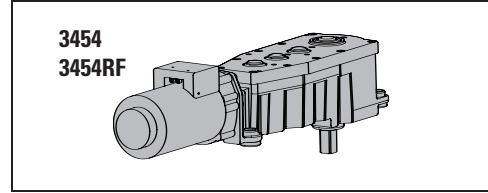
Special Templates
 Customized installation templates or products may be available to solve unusual applications. Contact LCN for assistance.

LCN 9550 SERIES

MOTOR GEARBOX

MOTOR GEARBOX (STANDARD FORCE) – SENIOR SWING, 9550-3454

Driving mechanism for operator. Provides 15lbs opening force. Handed.



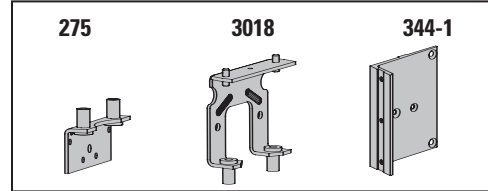
MOTOR GEARBOX (REDUCED FORCE) – SENIOR SWING, 9550-3454RF

Driving mechanism for operator. Provides 11lbs opening force. Handed.

MOUNTING BRACKETS

MOUNTING BRACKET – 2 3/4", 9550-275

Motor gearbox mounting bracket for 2 3/4" offset pivot or butt hinge installations. Front bracket.

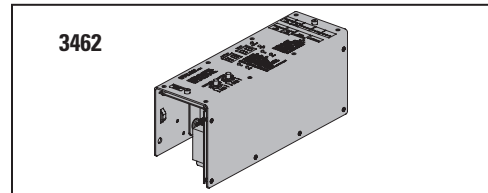


REAR MOUNT BRACKET, 9550-3018

Motor gearbox mounting bracket. Rear bracket.

ANGLED BRACKET, 9550-334-1

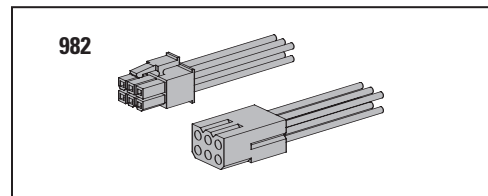
Mounting bracket for surface applications.



CONTROL BOXES

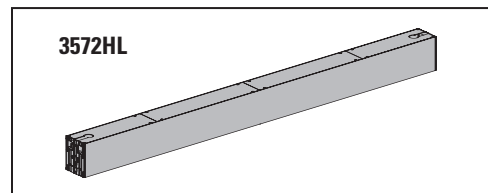
CONTROL BOX – SENIOR SWING, 9550-3462

Electronic controlling device for Senior Swing.



COMPANION CABLE, 9550-982

Cable that allows one control box to run two motor gear boxes. Companion cable. For use with Senior Swing.



HEADERS

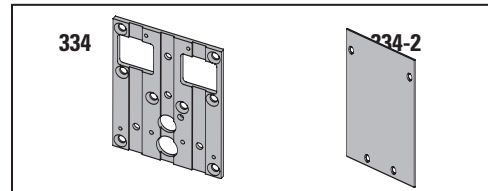
HEADER, 9550-3572HL

Standard, mounting header. Pair door, two operators. Specify length 60" to 98" maximum.

END CAPS

HEADER ENDCAPS, 9550-334

End cap with openings for wiring.



END DRESS PLATE, 9550-334-2

Metal finish end cap.

ARMS

STANDARD ARM ASSEMBLY, 9550-3077PLCM

Handed arm.

REGULAR ARM ASSEMBLY, 9550-3077

Handed arm.

REGULAR LONG ARM ASSEMBLY, 9550-3077L

Handed arm.

STANDARD ARM, 9550-3077T

Handed arm. Track roller not included.

MAIN ARM, 9550 -77

Handed arm attaches to motor gearbox

LINKAGE ASSEMBLY – 15", 9550-79

Threaded rod attaches to door. Extends from main arm.

LINKAGE ASSEMBLY – 32", 9550-79LR

Threaded long rod attaches to door. Extends from main arm.
Used for reveal 10" to 20".

TRACKS

TRACK 9550-3038

Standard non-handed track.

TRACK END CAP 9550-73

Black plastic end caps.

ROLLER, 9550-3034

Quiet low friction roller assembly.

INSTALLATION ACCESSORIES

SPINDLE PLATE – 2 3/4", 9550-11A

Hides bottom of motor gearbox. Completes header box. Cutout allows for motor gearbox shaft. For 2 3/4" offset pivot or butt hinge installations.

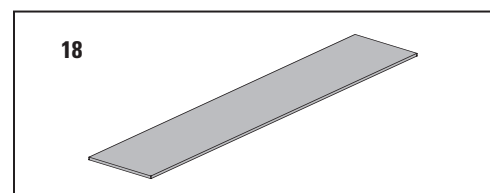
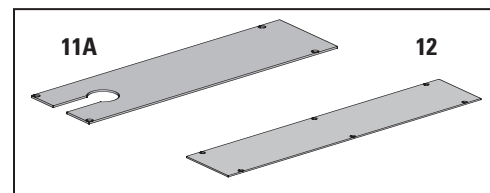
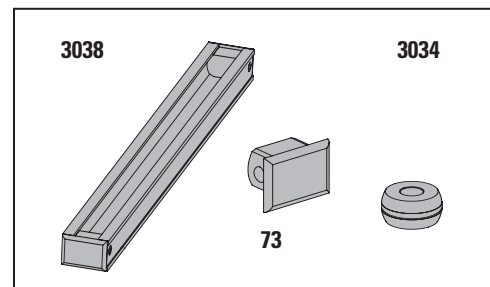
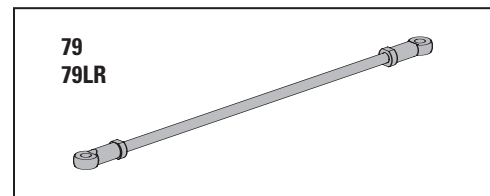
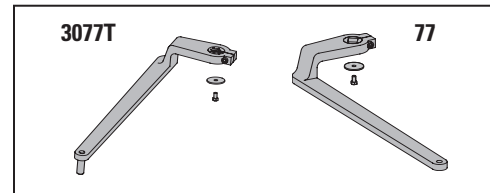
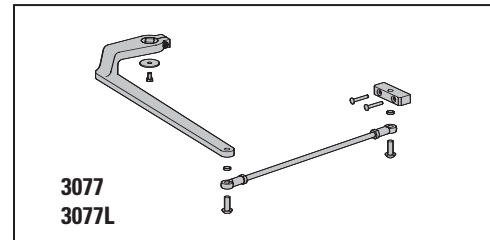
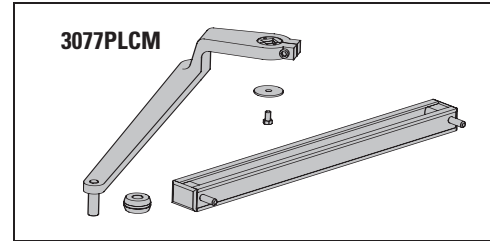
FILLER PLATE BLANK, 9550-12

Completes length of header box. (Specify Length)

MOUNTING PLATE, 9550-18

Optional mounting plate for standard hollow metal door frames. Specify length 33" to 98" maximum.

NOTE: The length of a universal 18 plate will need to be ordered 3 1/2" longer than the supplied header.

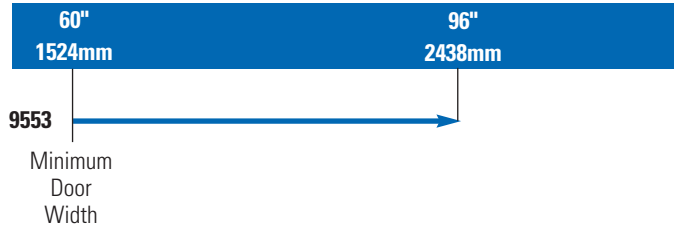


LCN 9550 SERIES

TABLE OF SIZES

→ Indicates recommended range of door width for operator.
Note: For All Senior Swing Series
Simultaneous Pair – Width per leaf 30" minimum to 48" maximum

DOOR WIDTH



HOW-TO-ORDER 9550 SERIES OPERATORS

1. SPECIFY HAND

- RH
- LH

2. SPECIFY FINISH.

- Standard Anodized Finish _____
Aluminum or Dark Bronze

Operator will be shipped with:

- STANDARD MOTOR GEARBOX (SF) (2 ea)
- STANDARD CONTROL BOX (SC)
- 72" METAL COVER (72HL)
- REGULAR ARM (2 ea)
- 2 3/4" PIVOT POINT
- MACHINE SCREW PACK

OPERATOR OPTIONS

MOTOR GEARBOX

- Reduced Force Motor Gearbox (RF)

HEADER

- HL__ (Specify length 60" to 98")

MOUNTING PLATE

- Plate, ____ (Specify Length 30" to 98")

ARM

- Standard Arm (2 ea)
w/Standard Track (2 ea)
- Double Egress
Includes Standard Arm w/Track (1 ea)
& Regular Arm (1 ea)
- Long Arm (3077L)

FINISH

- Custom Anodized Finish _____
- Custom Painted Finish _____

SPECIAL TEMPLATE

- ST-_____