



GYRO TECH™

by NABCO Entrances Inc.

Where quality and service are automatic

WWW.NABCOENTRANCES.COM

1-877-622-2694

JOB NAME: _____

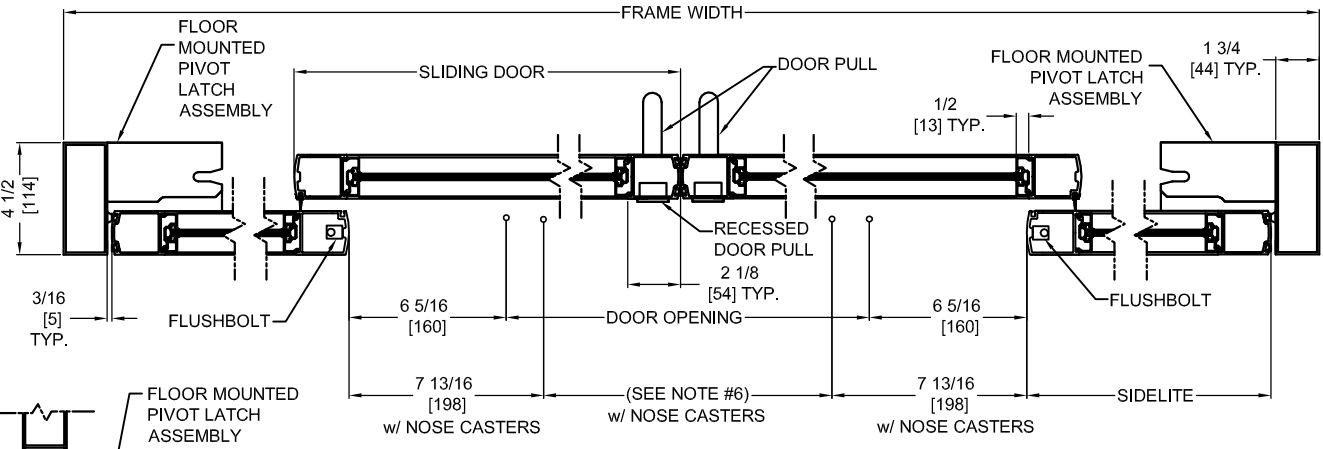
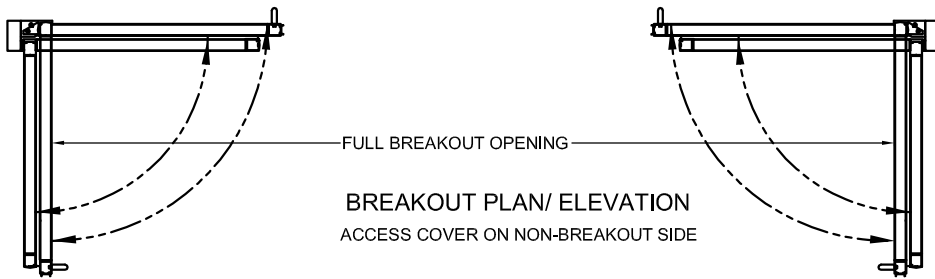
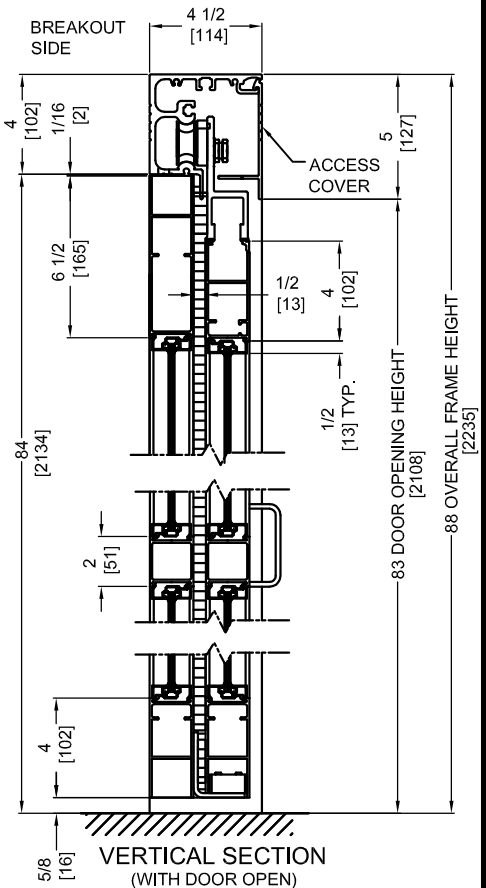
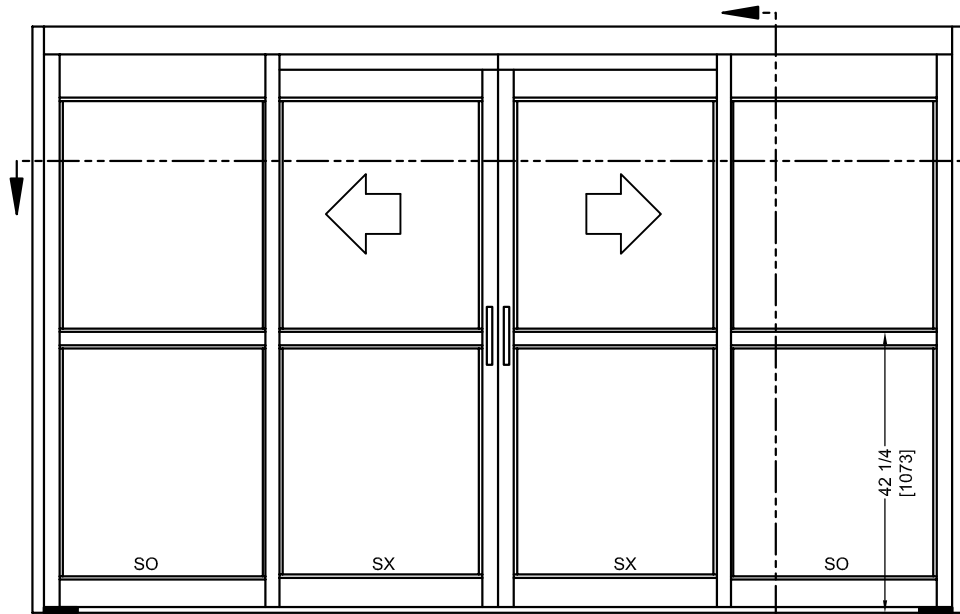
LOCATION: _____

DISTRIBUTOR: _____

DOOR #: _____ DATE: _____

SHEET _____ OF _____

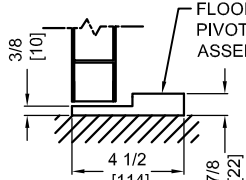
GT2100B
BI-PART SLIDE
FULL OPEN
TRACKLESS



HORIZONTAL SECTION

- NOTES:
1. "D" HANDLE PROVIDED ON NON BREAKOUT SIDE. RECESSED HANDLE PROVIDED ON BREAKOUT SIDE. UNITS REQUIRING "D" HANDLES ON BOTH SIDES WILL HAVE REDUCED DOOR OPENING WIDTH BY 1 1/2" [38]. DOOR AND SIDELITE WIDTHS ARE MODIFIED FOR TWO "D" HANDLE APPLICATIONS.
 2. NO FLOOR TRACK TO INTERFERE WITH TRAFFIC.
 3. BREAKOUT ONLY FROM FULL OPEN POSITION AFTER RELEASE OF FLUSHBOLT.
 4. UNITS ARE HANDED FROM THE BREAKOUT SIDE.
 5. VINYL WEATHERING IS STANDARD.
 6. CASTERS ARE REQUIRED ON ALL PANELS GREATER THAN 54" WIDE AND/OR 200 LBS OR MORE. UNITS REQUIRING CASTERS WILL HAVE REDUCED DOOR OPENING WIDTH BY 1 1/2" [38]. DOOR AND SIDELITE WIDTHS ARE MODIFIED WHEN CASTERS ARE INSTALLED.
 7. ROUGH OPENING EQUALS FRAME WIDTH +1/2" AND FRAME HEIGHT +1/4".

PIVOT LATCH



DOOR OPENING (SEE NOTE 6)	FULL BREAKOUT OPENING	FRAME WIDTH	SLIDING DOOR	SIDELITE
48" [1219]	109 5/8" [2784]	10'-2 1/4" [3105]	32 7/8" [835]	28 7/8" [733]
60" [1524]	133 5/8" [3394]	12'-2 1/4" [3715]	38 7/8" [987]	34 7/8" [886]
72" [1829]	157 5/8" [4004]	14'-2 1/4" [4324]	44 7/8" [1140]	40 7/8" [1038]
84" [2134]	181 5/8" [4613]	16'-2 1/4" [4934]	50 7/8" [1292]	46 7/8" [1191]
96" [2438]	208 5/8" [5299]	18'-5 1/4" [5620]	58 3/8" [1483]	52 7/8" [1343]